



Shielded lamps



- shielded table lamp made of metal with wooden base made of bamboo
- flexible neck moving in all directions
- modern powder-coated table lamp in white colour
- completely shielded from lamp to mains plug incl. shielding basket and Biologa Danell LED lamp G9
- Optically modern and natural table lamp in white design.

The lamp has an 180 cm connecting cable. The on/off switch for easy switching is located on the base of the lamp.

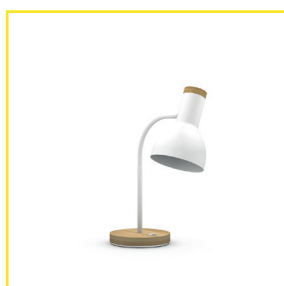
The lamp is stable in any shade position.

**Shielding effect in comparison (applies to all Biologa Danell lamps):**

An unshielded luminaire (protection class 2) with an unshielded connecting cable produces an alternating electric field of 100.0 to 160.0 V/m (building biology recommended guide value 10.0 V/m).

The shielded luminaire (protection class 1) with appropriate construction produces only an alternating electric field of a minimum of 0.4 to 0.6 V/m.

The shielding is checked according to the specifications, frequency bands and measuring distances of the recognised screen standards (for low-radiation screens / monitors): TCO'99, Band I (MPR II) and DIN EN 50279 (measuring distance 30 cm).



**Shielded lamps**

**Table lamp „Berlin“**

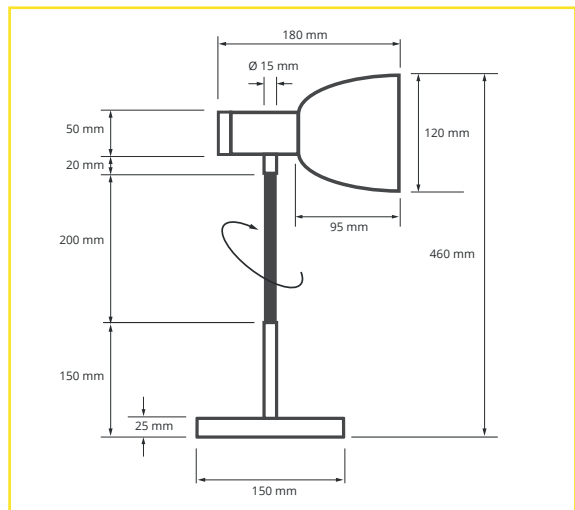
**Technical data**

colour:	Bamboo, nature, white
cable length:	ca. 180 cm white
mains connection shielded:	right-angle earthing contact plug DIN 49441
switch:	1-pole, shielded ON / OFF switch in socket
operating voltage:	230 VAC / 50 Hz
dimensions:	see drawing
light source:	E14 LED-G9-5,5 W 485 lm (max. 20 W bulb load)
protection class:	1 (with grounding wire)
shielding alternating electric field:	shielded mains cable (aluminium tape, two-wire, shielding basket)
shielding basket:	spiral stainless steel with screw ring E14
shielding alternating magnetic field:	cable lay 10 (individual wires twisted together ten times per metre)
test according to:	TCO'99 (MPR II, DIN EN 50279) limits undercut by a factor of 20 and more for all measurement methods, undercut by a factor of 20 and more, individually by 100

**Scope of delivery**

lamp with one illuminant G9-LED-5,5 and shielding basket

operating instructions



**Order-no.: 400050**

Short-desc.: BERLIN